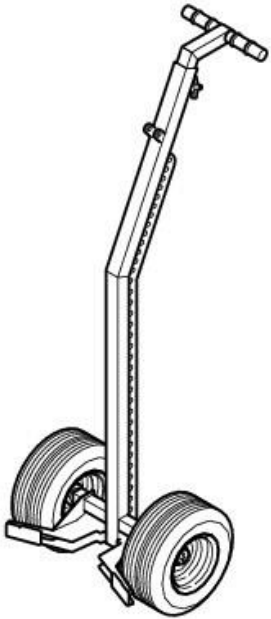
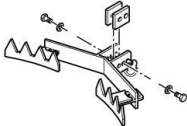



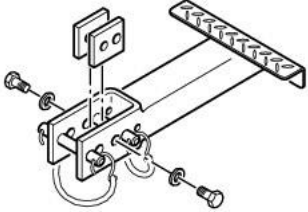
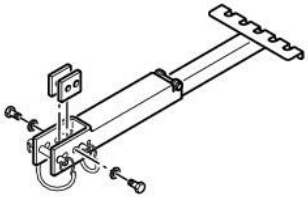
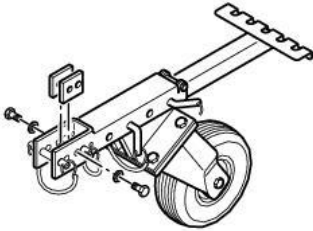
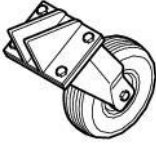
modatech-transport cart

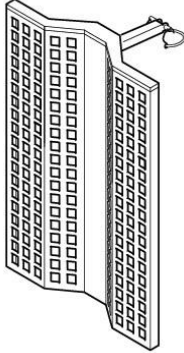
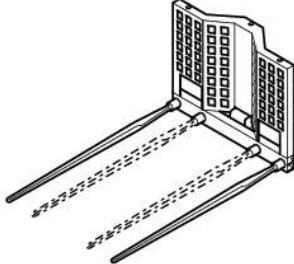
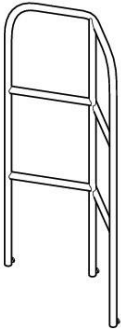
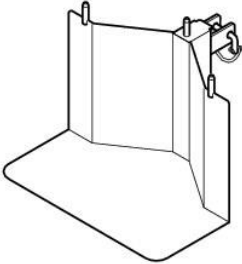
register and prices

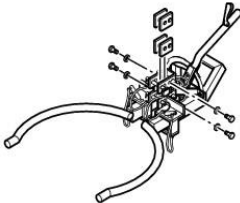


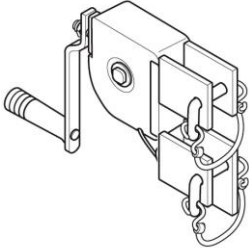
Index

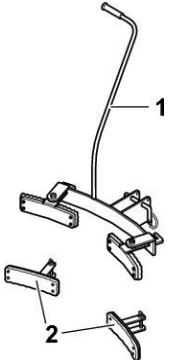
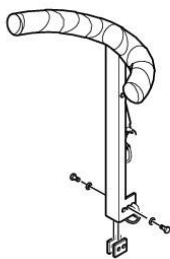
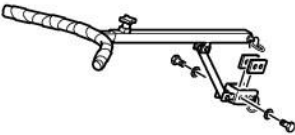
	Seite:	
Index of contents	1	
Basic unit	TK1 Moritz 500 TK2 Moritz 600	2
Attachments	pedal	3
	fork lifter	4
	stacking grid	
	transport blade	
	bracket for transport blade	
	plant trough lifter	5
	gripper	
	winch for plant trough lifter	
	clamping jaws	6
	tree/branch holder	
	trunk holder	
	crane	7
	holm strengthen	
	fence winch	
	cutting tool	8
	balance weight with winch	
Others	stone sling	8
	fork rake	
Gripper	manual and automatic	9
Mounting crane	mounting plate	10
	bogie	

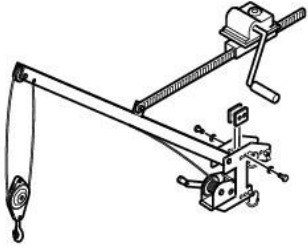

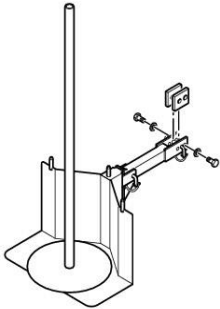

Basic unit	article- description	article- number	measure cm	weight kg	prices EURO
	transport cart TK1 Moritz 500	1601	width 65 height 164-180	25,00	650,00 including seam gripper and tension belt
	transport cart TK2 Moritz 600	1701	width 70 height 175-190	37,30	850,00 including seam gripper and tension belt
	<div style="display: flex; justify-content: space-around; align-items: center;"> <div data-bbox="608 1086 794 1211">  </div> <div data-bbox="826 1137 970 1167" style="text-align: center;"> seam gripper </div> <div data-bbox="1051 1093 1219 1218">  </div> <div data-bbox="1249 1137 1377 1167" style="text-align: center;"> tension belt </div> </div>				

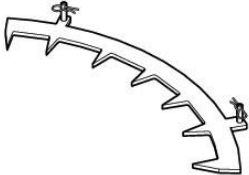

attachments	article- description	article- number	measure cm	weight kg	price EURO
	pedal TK1	1604	width 30 length 32	2,50	160,00
	pedal TK2	1704	width 30 length 32	2,50	160,00
	pedal able to fold TK1	1605	width 30 length 67	5,30	230,00
	pedal able to fold TK2	1705	width 30 length 67	5,30	230,00
	pedal able to fold with stabilizing wheel TK1	1621	width 30 length 67	14,40	395,00
	pedal able to fold with stabilizing wheel TK2	1721	width 30 length 67	14,40	395,00
	stabilizing wheel for pedal TK1	1619	width 25 length 28	9,10	195,00
	stabilizing wheel for pedal TK2	1719	width 25 length 28	9,10	195,00



attachments	article- description	article- number	measure cm	weight kg	price EURO
	stacking grid TK1	1614	width 70 height 90	16,00	280,00
	stacking grid TK2	1714	width 70 height 90	16,00	280,00
	fork lifter TK1	1612	width 70 height 50 length 80	24,00	345,00
	fork lifter TK2	1712	width 70 height 50 length 80	24,00	345,00
	bracket for transport blade TK1	1616	width 48 height 92	6,00	198,00
	bracket for transport blade TK2	1716	width 60 height 93	6,20	198,00
	transport blade TK1	1615	width 60 height 36 space depth: at side 24 to holm 40	17,50	260,00
	transport blade TK2	1715	width 65 height 40 space depth: at side 26 to holm 41	22,00	285,00
	depth transport blade TK2	1735	width 65 height 41 space depth: at side 50 to holm 65	35,00	335,00

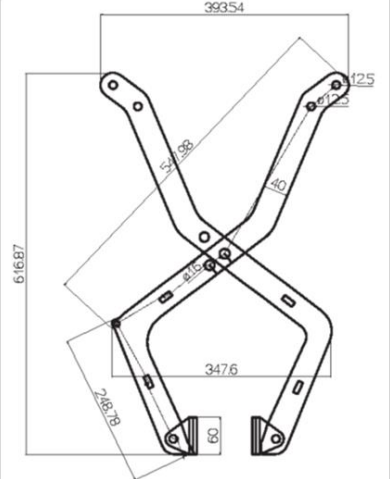
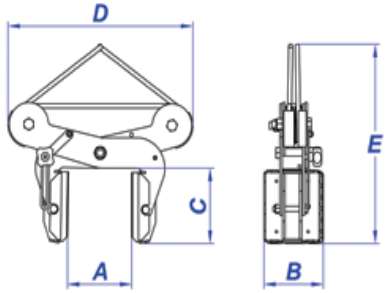
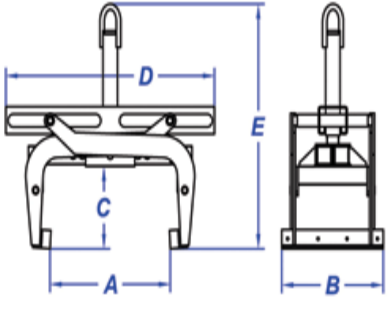
attachments	article- description	article- number	measure cm	weight kg	price EURO
	plant trough lifter TK1	1608	diameter 40-70	30,00	1.030,00
	plant trough lifter TK2	1708	diameter 40-70	30,00	1.030,00
	gripper for plant trough lifter TK2	1709	diameter 60-100	10,00	370,00
	gripper for cases, for TK1 and TK2	1727	variable width 30-70	10,00	395,00
	winch for plant trough lifter TK1	1620	width 30 height 20	3,00	285,00
	winch for plant trough lifter TK2	1720	width 30 height 20	3,00	285,00

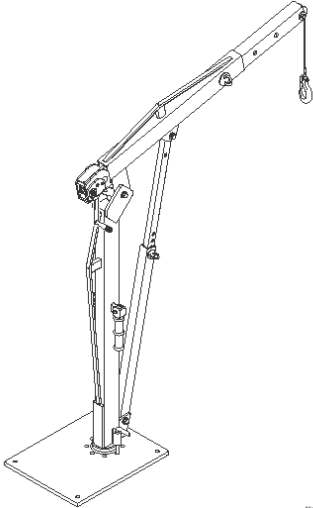
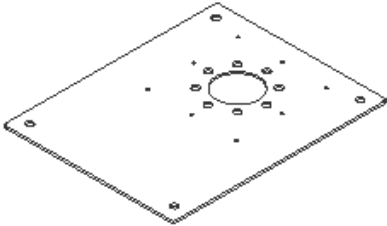

attachments	article- description	article- number	measure cm	weight kg	price EURO
	clamping jaws TK1	1607	width 50 height 90	6,50	345,00
	clamping jaws TK2	1707	width 60 height 95	8,00	420,00
	tree/branch holder TK1	1610	width 65 height 80	4,00	160,00
	tree/branch holder TK2	1710	width 65 height 80	4,00	160,00
	trunk holder TK1	1611	width 36 length 63	4,00	320,00
	trunk holder TK2	1711	width 36 length 63	4,00	320,00

attachments	article- description	article- number	measure cm	weight kg	price EURO
	crane TK1	1618	extens. arm length 145 outreach from 10-100	22,00	1.225,00
	crane TK2	1718	extens. arm length 145 outreach from 10-100	22,00	1.225,00
	holm strengthen for TK1	1622	length 120	10,00	210,00
	fence winch TK1	1617	width 60 height 90 depth 45	34,00	420,00
	fence winch TK2	1717	width 60 height 90 depth 45	34,00	420,00
	universal fence winch TK1 with extension grid	1630	width 60 height 60-300 depth 45	42,00	1.090,00
	universal fence winch TK1 with extension grid	1730	width 60 height 60-300 depth 45	42,00	1.090,00

attachments	artitel- description	article- number	measure cm	weight kg	price EURO
	cutting tool TK1	1606	width 50	2,00	240,00
	cutting tool TK2	1706	width 60	3,00	290,00
	balance weight with winch for TK 2	1722	width 70 balance weight carrying capacity up to 500 kg	104,00	1.080,00

other	article- description	article- number	measure cm	weight kg	price EURO
	stone sling	1052	load capacity 2,00 to	5,00	1.090,00
	fork rake TK1 (1 pair)	1613	length 80	5,00	68,00
	fork rake TK2 (1 pair)	1713	length 80	5,00	68,00

gripper	article- description	article- number	measure mm	load capacity kg	price EURO
	<p>stone step gripper typ 2030 manual for steps and curbstones</p>	<p>2030</p>	<p>wide opening up to 380 height 640 width 400 weight kg 12</p>	<p>500</p>	<p>710,00</p>
	<p>gripper typ 2020 manual</p>	<p>2020</p>	<p>A= 0-140 B= 150 C= 170 D= 470 E= 700 weight kg 16</p>	<p>1.500</p>	<p>1.330,00</p>
	<p>gripper typ 2040 automatic</p>	<p>2040</p>	<p>A= 100-600 B= 350 C= 250 D= 720 E= 630 weight kg 35</p>	<p>800</p>	<p>1.450,00</p>

mounting crane	article- description	article- number	measure cm	load capacity kg	price EURO
	<p>mounting crane with pipe in pipe adjusting mechanism, as well as cable winch and deflector roll</p>	<p>1723</p>	<p>mounting crane in hinged position height 130 cm width 35 cm</p> <p>hook height 238 cm</p> <p>dead weight crane kg 56</p>	<p>by 1,0 m 500 kg</p> <p>by 1,1 m 400 kg</p> <p>by 1,3 m 300 kg</p> <p>by 1,5 m 200 kg</p>	<p>2.200,00</p>
	<p>mounting plate</p>	<p>1725</p>	<p>40 x 50 cm</p> <p>kg 26</p>		<p>430,00</p>
	<p>bogie with legs supports for mounting plate as additional for transport cart Moritz 600</p>	<p>1724</p>	<p>hinged position: height 164 cm width 80 cm depth 70 cm</p> <p>dead weight 80 kg</p>		<p>1.100,00</p>

Prices are quoted ex works Weihermühle/Germany, valid from 01.09.2018. All previous price-lists become void.
Prices are in Euro plus value added tax